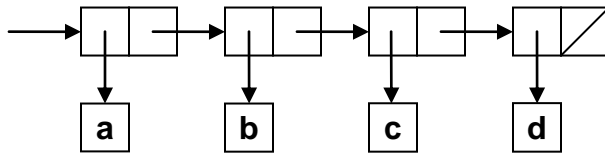
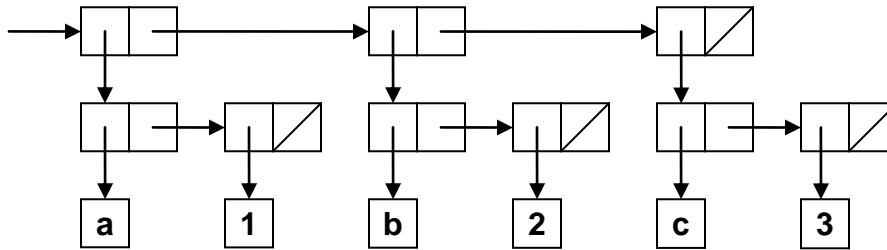


Internal representation of S-expressions in Scheme

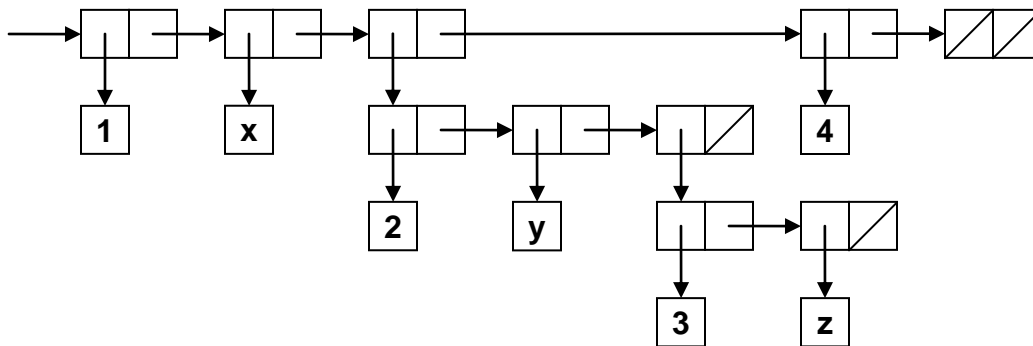
(cons 'a '(b c d)) or '(a b c d)



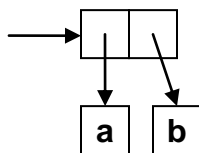
'((a 1) (b 2) (c 3))



'(1 x (2 y (3 z)) 4 ())



(cons 'a 'b) or '(a . b)



'((a . 1) (b . 2) (c . 3))

